

ACUDRILL DRILLING MACHINE

— • Universal drilling machine for drilling pipes on threaded branch connections of up to 2". With manual, electric or pneumatic operation



FC-41-PMH-07E



ACUSTER



INFORMATION

> Specifications

The AcuDrill drilling machine is universal: it can be used on any threaded saddle or fitting.

Operation: as standard, it is supplied with manual operation (adapted ratchet wrench with a revolving handle). As an option, it can be operated using an electric or pneumatic actuator. With these systems, the drilling speed can be increased by up to 60 times (see section on options/spares).

The drilling machine dome is connected to the saddle threaded outlets, fittings or intermediate valves through the 3/4", 1", 1 1/4", 1 1/2" and 2" saddle adapters, as per the assembly.

It has been designed to adapt to a wide range of drilling requirements through the versatility of the drilling chuckshaft, which can be set to three different positions for ranges of up to 241 mm.

It is supplied in a carrying case that includes the necessary tools.

> Applications

Pipes :

Drilling of steel pipes, grey cast iron, ductile cast iron, asbestos cement, clay, polyester, PVC, PE and PP, etc.

Range of application :

For threaded saddles or fittings from 3/4" to 2".

Drilling ranges :

Maximum drilling capacity:
Up to diameter 48 mm.

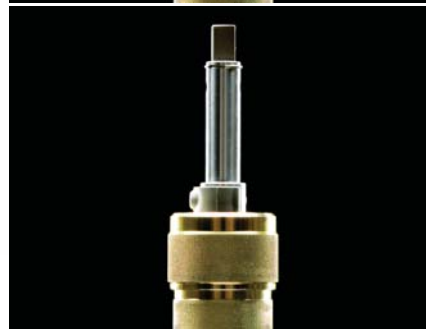
Maximum sweep: 241 mm.
Total adding range travel and fastening shaft.

Operation: standard manual operation using a ratchet wrench with a revolving handle.

An optional electric or pneumatic actuator can be applied.

Working pressures:

16 bar (for water).





MATERIAL SPECIFICATIONS

- ① **Machine components:**
carbon steel, dichromated.
- ② **Chuckshaft:**
carbon steel, chrome-hardened.
- ③ **Saddle adapter kit:**
Carbon steel, dichromated with male thread of 3/4", 1", 1 1/4", 1 1/2" and 2" BSP, with metal-rubber washer included.
- ④ **Variable pitch hole saws:**
High-speed steel.



ASSEMBLY

The procedure for correct drilling and the machine specifications are given in the MU-41-14E User Manual, which is supplied with the machine.



SUPPLY

The AcuDrill drilling machine unit includes the following parts:

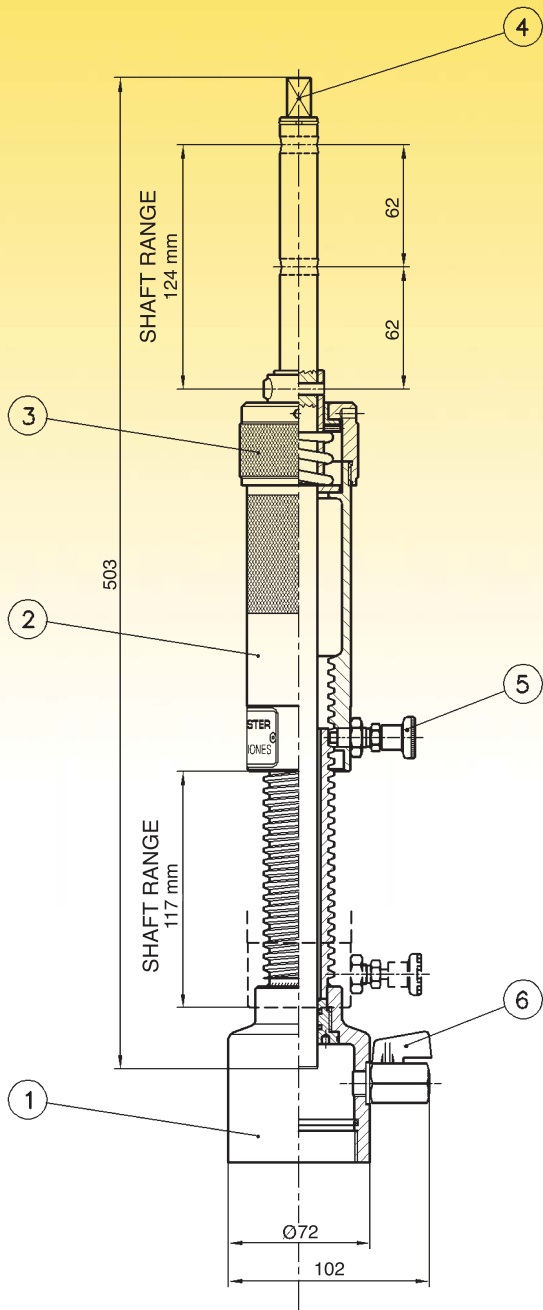
- > Carrying case with die-cut foam.
- > Drilling machine.
- > Saddle adapter wrench.
- > Ratchet wrench with a revolving handle.
- > 3 mm Allen key.
- > Arbor hole saw (from 14 to 30 mm) featuring pilot drill with coupon retainer.
- > Arbor hole saw (from 32 to 48 mm) featuring pilot drill with coupon retainer.



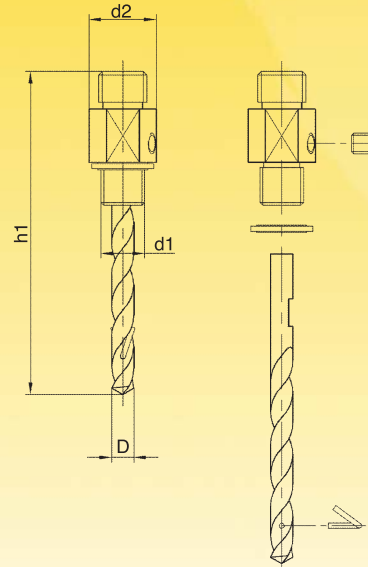
The saddle adapter kits are optional. Each saddle adapter includes the corresponding hole saw.



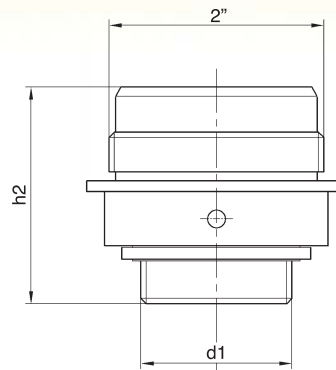
DIMENSIONS



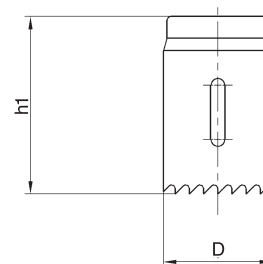
Item	Description
1	Dome-spindle assy
2	Chuckshaft
3	Drilling feed cover
4	Drilling machine body
5	End travel mechanism
6	Venting valve



dimensions in mm	Arbor hole saw + pilot drill			
Type of hole saw	14 to 30	14 to 30	32 to 46	32 to 46
D	6,5			
d1	1/2"		5/8"	
d2	19,5			
h1	94			



dimensions in mm	Saddle adapter				
d1	3/4"	1"	1 1/4"	1 1/2"	2"
h2	59	59	60	60	60



dimensions in mm	Variable pitch hole saw				
D	19	22	30	33	46
h1	59	49	49	54	52
Arbor hole saw	14 to 30	14 to 30	14 to 30	32 to 46	32 to 46



SPARE PARTS

> 3/4", 1", 1 1/4", 1 1/2" and 2" saddle adapters.

> 1/2" arbor hole saw (from 14 to 30 mm) and 5/8" arbor hole saw (from 32 to 48 mm) both featuring pilot drill with coupon retainer.

> 6.5 mm pilot drill with coupon retainer.

> Variable pitch hole saws of 19, 22, 30, 33 and 46 mm diameter.

> Tungsten carbide hole saws of 19, 22, 29, 32 and 44 mm diameter.

> Hole saws for plastic pipes of 19, 29, 35 and 48 mm diameter.

Besides the indicated hole saw sizes, other optional sizes can be supplied to order.



Various drilling options are also available:

Manual



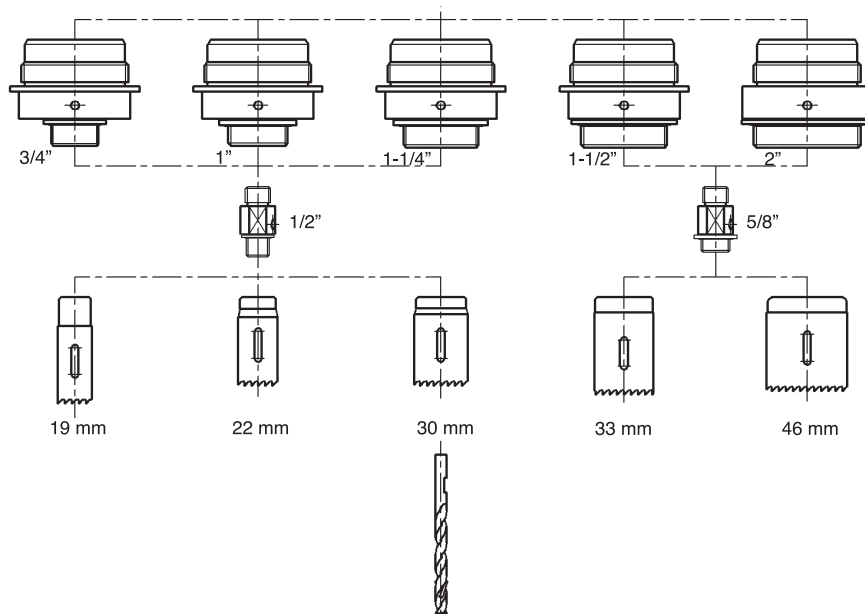
Electric



Pneumatic



Threaded outlet options:



ACUDRILL DRILLING MACHINE

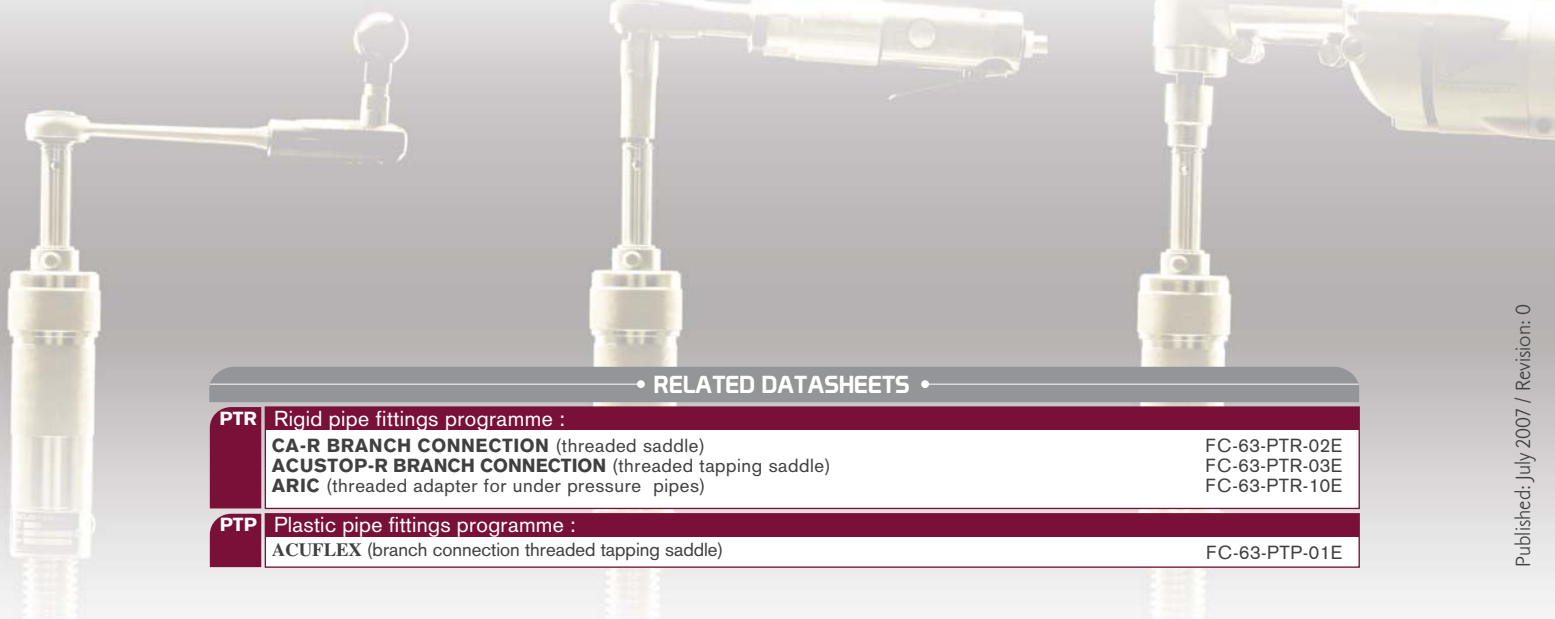
- Universal drilling machine for drilling pipes on threaded branch connections of up to 2".
With manual, electric or pneumatic operation



MAINTENANCE

As the manufacturer of AcuDrill drilling machines, the Acuster group has an after-sales department and offers all our clients our facilities, tooling and skilled staff for:

- > Maintenance work, overhauls and repairs as necessary for the correct operation of the equipment for many years, ensuring a lengthy service life.
- > Calibrations and certification of calibrations in accordance with technical machinery inspections required by companies (e.g. Gas Natural Sdg).
- > Supply of spares.
- > Equipment hire service.
- > Technical consultancy service and training and recycling courses for welders.



• RELATED DATASHEETS •

PTR	Rigid pipe fittings programme :	
	CA-R BRANCH CONNECTION (threaded saddle)	FC-63-PTR-02E
	ACUSTOP-R BRANCH CONNECTION (threaded tapping saddle)	FC-63-PTR-03E
	ARIC (threaded adapter for under pressure pipes)	FC-63-PTR-10E
PTP	Plastic pipe fittings programme :	
	ACUFLEX (branch connection threaded tapping saddle)	FC-63-PTP-01E

Published: July 2007 / Revision: 0

The information provided in this publication is subject to change without notice.



Juan de la Cierva, 1; Políg. Ind. nº 1
08960 SANT JUST DESVERN (Barcelona) - SPAIN
Tel. +34 93 470 30 70 - Fax +34 93 473 00 77
<http://www.acuster.com> mail@acuster.com