

# LITTLE BEAT

Universal electrofusion control box for small fittings



FC-78-PMH-14



# LITTLE BEAT

• Universal electrofusion control box for small fittings



## INFORMATION

### > Features

Automatic control of the voltage and current supplied to the fittings, make the Little Beat reliable and ensures that fusions made are executed within the required parameters.

The Little Beat also provides information and optional control of the cooling time as well as real-time monitoring of all parameters of each joint on the unit screen.

This electrofusion unit has been designed to carry out electrofusion joints using fittings with a working voltage from 10V up to 42V.

The Little Beat is a unit with both data manual input (voltage and time provided by the fitting manufacturer) and bar-code recognition system by a scanner.

It can be used with fittings with a diameter up to 110 mm (up to 160 mm occasionally).



The Little Beat is compact, with small dimensions, light (13 kg only) easy to handle thanks to its transport metal casing and so simple to use.



#### WORKING MODES:

- Manual input of fusion parameters using the keyboard
- Automatic input of fusion parameters by reading barcode with a scanner (optional)

#### Other modes:

- Input of the 24-digit bar-code via the keyboard
- Validation of the last parameters used to make a new fusion

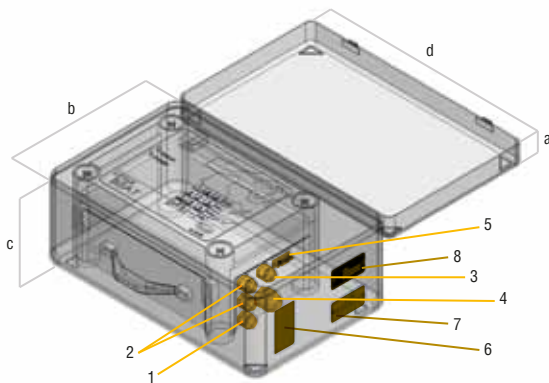


## TECHNICAL CHARACTERISTICS

LITTLE BEAT	
Classification acc to ISO 12176-2	P <sub>2</sub> US <sub>1</sub> VKAX
Configuration options	Language > Multilingual (request available languages)
	Display > backlight and contrast
Input voltage	Nominal voltage: 230 Vac ±10%
Input frequency	Nominal frequency: 50 Hz ±10%
Electrofusion voltage	10 to 42 Vac galvanically separated
Power consumption	2500 W maximum (the fitting resistance must not be lower than 0.7Ω)
Generator output performance	4.0 kVA unipolar operation; electronic regulation
Protection type	Doble isolation IP55
Duty factor	40 to 90% (depending on the fitting size) Electronic temperature monitoring of the unit
Working temperature	-5 to 40°C (blocking at -6°C)
Display	LCD, 2 lines x 16 characters backlight
Acoustic warning	Piezoelectric buzzer
Enter fusion data Manual	Voltage: Multivoltage (steps of 0.1 V)
	Time: 1 to 5,000 seconds
	Cooling time: 1 to 99 minutes
Enter fusion data Automatic	Barcode acc. to ISO/TR 13950
Front and keys	Green/grey silkscreen plastic membrane with tactile push buttons
Power cable	2x1 mm <sup>2</sup> (Schuko + French type plug) 2.5 m long
Electrofusion cables	1x10 mm <sup>2</sup> , 3 m long (threaded terminals for adapters)
Scanner	Laser scanner optional
Connection of scanner	9-pins RS-232
Accessories	Set of 4 and 4.7 mm electrofusion adapters
Weight and dimensions	Height: 385 mm; Width: 243 mm; Length: 165 mm; Nett weight: 13 kg



## DESCRIPTION / DIMENSIONS



Description	
On the plastic box:	
Item	1
	Mains cable gland
	2
	Electrofusion cables glands
	3
	Temperature sensor
	4
	Buzzer
	5
	Scanner connector
On the metal casing:	
Item	6
	Technical specifications label
	7
	Service control plate
	8
	'EC' plate

Dimensions	
a	35 mm
b	243 mm
c	137 mm
d	385 mm



## ASSEMBLING

The steps for a correct fusion process and equipment features are in the User Manual MU-78-13E supplied with it.

# LITTLE BEAT

• Universal electrofusion control box for small fittings



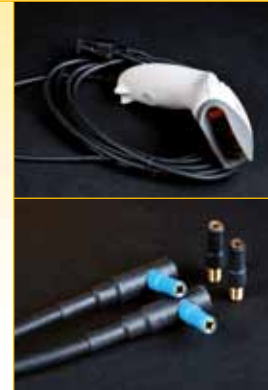
## OPTIONS

To ensure proper use and long life of equipment, we recommend using the EM30 HONDA generator model with cyclo-converter.



## SPARES

- > The equipment of the Beat range is supplied with all the elements needed for fusing any fitting on the market. That is why the electrofusion adapters of 4 mm and 4.7 mm are supplied with the equipment.
- > Scanner (optional).



## MAINTENANCE

As a manufacturer of the BEAT units, Grupo Acuster has an after sales department and offers all our clients our facilities, tooling and skilled staff for:

- > Maintenance works, overhauls and repairs as necessary for the correct operation of your equipment for many years, ensuring a lengthy service life.
- > The supply of spares parts.
- > Equipment hiring service.
- > Technical consultancy service and training and recycling courses for welders.



### • RELATED DATASHEETS •

PMH	Machinery and tools programme:	
	BEAT RANGE	FC-78-PMH-01
	BEAT HF	FC-78-PMH-02
	TWIN-S MACHINE	FC-78-PMH-04
	PE MANUAL SQUEEZERS	FC-71-PMH-08
	TOOLS FOR PE	FC-71-PMH-10
	PE CUTTING TOOLS (pipe cutter)	FC-52-PMH-11

